

PRO Integrator HDMI® Cable

Kordz PRO series is a general application HDMI cable engineered for the discerning integrator. It employs materials and construction methodologies which deliver a balance of economy and dependable performance without compromising the most critical elements common to all Kordz HDMI cables; the retention of digital signal integrity.

- Engineered and constructed to assure installation success and longevity,
- High Speed with Ethernet in lengths to 5m (16'4") for 2160p (4K) support,
- Standard with Ethernet with operational support to 1080p/60 up to 20m (65ft),
- Induction soldered pin transitions for benchmark inter-terminal uniformity,
- Economy ABS + PVC boot shell assembly with folded steel HDMI connector,
- 100% of units tested on the production line for electrical continuity on all pins, with 1080p/60 application test,
- UL CMG fire rated in lengths 5m+,
- Limited lifetime warranty,
- **Licensed HDMI 2.0 Adopter company.**



Technical Specifications

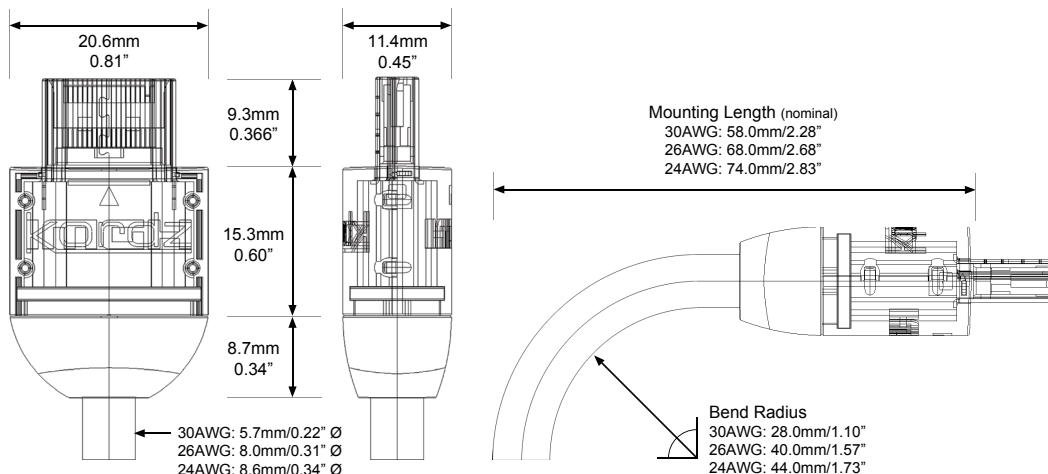
HDMI Compliance	≤ 5.0m Lengths	7.5m - 20m Lengths
HDMI CTS Certification	High Speed with Ethernet	Standard with Ethernet
Certified Data Rate	3.4Gbps, 10.2Gbps agg.	0.7425Gbps, 2.25Gbps agg.
Supported Data Rate	> 3.4Gbps (4K UHD)	>1.485Gbps (1080p/60)
Supported HDMI Clock	27-340MHz	27-148.5MHz

Construction

Primary Conductors	Solid 30-24AWG OFC, length dependent
Insulation	TMDS HD-PE ≤1.7 relative permittivity 4C + HEAC Pairs Solid polyolefin ≤ 2.0 relative permittivity
Shielding	TMDS Pairs Al/Mylar, 25% overlap Overall Al/Mylar + Al braid 85% coverage
Cable Jacket	UL CMG fire rated PVC
HDMI Connector Shell	Premium gauge folded steel, 1µ" 24K Gold plated
HDMI Connector Pins	Solid OFC, 15µ" 24K Gold plated
Termination	Contactless IR induction soldering
HDMI Backshell	ABS shell assembly with PVC boot strain relief

Mechanical

Cable Diameter	30AWG 5.7mm/0.22" 26AWG 8.0mm/0.31" 24AWG 8.6mm/0.34"
Mounting Length	cable gauge dependent (see below)
Cable Bend Radius	cable gauge dependent (see below)
Retention Force (nom)	9.9N (1kg / 2.2lbs) +10/-5%



Applications

- General high reliability HDMI connectivity, 1080p/60 support to 20m | 65ft,
- Residential,
- Rack & AV Cupboard,
- Corporate & Board Room,
- Education.

Application Specifications

Video Format Support

Data rate per channel / Aggregate, TMDS Bandwidth

All lengths

480i/p, 576i/p	≤ 540Mbps/1.62Gbps, 270MHz
720p/60, 1080i/60	742.5Mbps/2.22Gbps, 371.25MHz
1080p/24-30, 8/10/12-bit YCbCr 4:2:0/4:2:2, 8-bit 4:4:4	742.5Mbps/2.22Gbps, 371.25MHz
1080p/50-60, 8/10/12-bit YCbCr 4:2:0/4:2:2, 8-bit 4:4:4	148.5Mbps/4.455Gbps, 742.5MHz



Lengths to 5m only (High Speed)

1080p/50-60, 10/12/16-bit YCbCr/RGB 4:4:4	max 2.97Gbps/8.91Gbps, 1.485GHz
2160p (UHD/4K)	
2160p/23.98/24/29.97/30, 8-bit RGB/YCbCr 4:4:4, 10/12-bit 4:2:2 or 4:2:0	2.97Gbps/8.91Gbps, 1.485GHz
2160p/50/59.94/60, 8-bit YCbCr 4:2:0 (HDMI 2.0)	2.97Gbps/8.91Gbps, 1.485GHz
HDMI 2.0 mode	
2160p*/50/59.94/60, 8-bit 4:4:4, 10/12/16-bit 4:2:2/4:4:4	max 5.94Gbps/17.82Gbps, 2.97GHz

VESA graphics	Supports all as defined by HDMI specification
3D Video	Supports all as supported &/or mandated by HDMI specification
Color Spaces	RGB, YCbCr, xvYCC, Adobe sRGB, sYCC601, ITU-BT.2020
Audio Formats Support	PCM 2.0-7.1, DD/DTS HD 7.1, 3D Audio
3D Audio (10.2 / 22.2 / 30.2ch)	Supported, device & video format dependent
HDMI Ethernet Channel	Supported, system dependent
HDMI Audio Return Channel	Supported, Single Mode & Common Mode

* HDMI 2.0 2160p modes encapsulate both 4,096 or 3,840 Hres variants & 4:3 anamorphic pixel ratio support

Models

	Length	Model	AWG	Max Video
	0.5m 1' 7"	PRO-HD0050	30	2160p (UHD)
	1.0m 3' 3"	PRO-HD0100	30	2160p (UHD)
	1.5m 4' 11"	PRO-HD0150	30	2160p (UHD)
	2.0m 6' 6"	PRO-HD0200	30	2160p (UHD)
	3.0m 9' 10"	PRO-HD0300	30	2160p (UHD)
	5.0m 16' 4"	PRO-HD0500	26	2160p (UHD)
	7.5m 24' 7"	PRO-HD0750	26	1080p/60
	10.0m 32' 9"	PRO-HD1000	26	1080p/60
	12.5m 41' 0"	PRO-HD1250	24	1080p/60
	15.0m 49' 2"	PRO-HD1500	24	1080p/60
	20.0m 65' 7"	PRO-HD2000	24	1080p/60

HDMI
2.0 Adopter



Related Products

PRS Fixed Install HDMI Cable

- ▲ Grip tab connectors,
- ▲ Full metal die-cast shell,
- ▲ 28AWG TMDS + HEAC,
- ▲ Passive High Speed 0.5-5m,
- ▲ Active High Speed 7.5-15m.

R.3 Rack Install HDMI Cable

- ▲ Die-cast connectors,
- ▲ Lightweight construction,
- ▲ Halogen free,
- ▲ 100% BER factory tested,
- ▲ 0.3m increments.

R.6 Reference Lab HDMI Cable

- ▲ Die-cast connectors,
- ▲ Lightweight construction,
- ▲ 28AWG OFC TMDS,
- ▲ Halogen free,
- ▲ 100% BER factory tested,
- ▲ Reference grade.